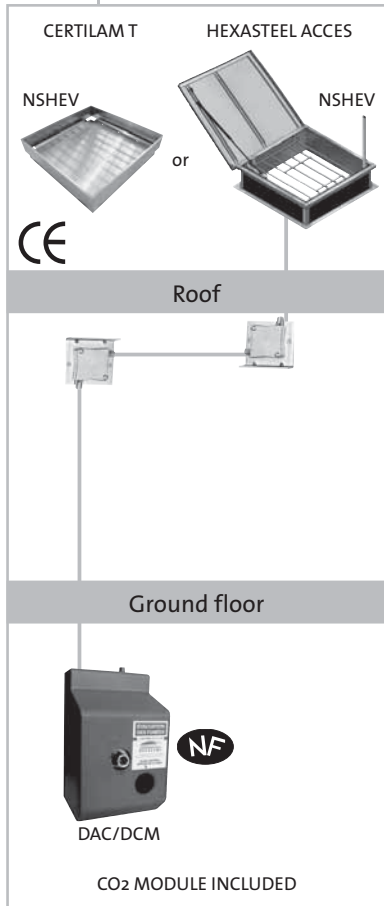


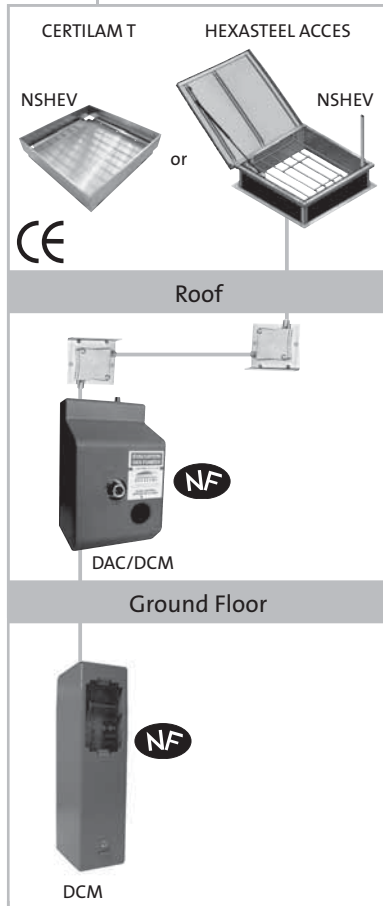
Based on the french regulations.

HEXAPACK MECHANICAL WINCH
 APARTMENT BUILDING
 GROUND FLOOR + 2 / 3 FLOORS

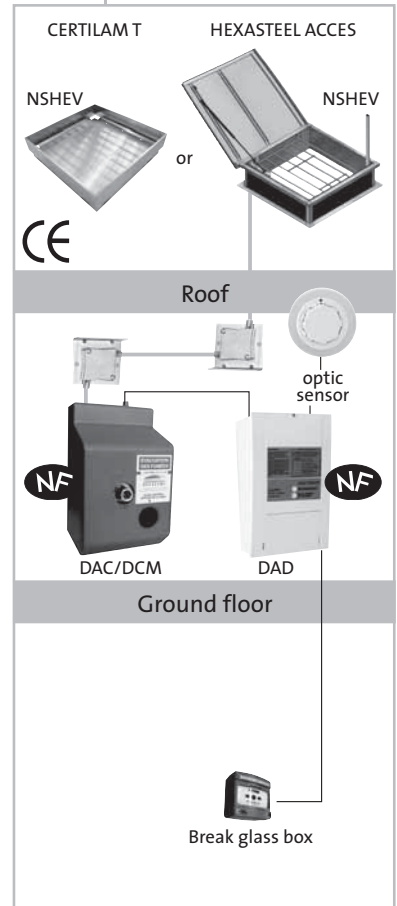


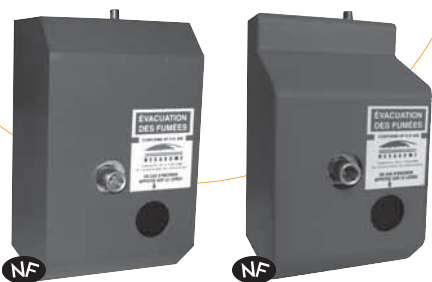
HEXAPACK PNEUMATICAL WINCH
 APARTMENT BUILDING
 GROUND FLOOR + 2 / 3 FLOORS

APARTMENT BUILDING
 GROUND FLOOR + 4 / 7 FLOORS

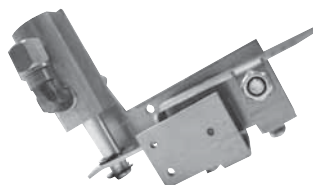


HEXAPACK ELECTRICAL WINCH
 APARTMENT BUILDING
 GROUND FLOOR + 4 / 7 FLOORS

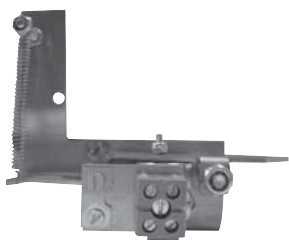




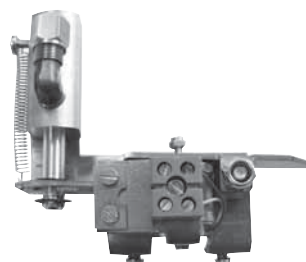
Winch Treuil TL 2000 DCM/DAC
H23253-7 : Red-tinted metallic box
H23253-7P : Red-tinted plastic box



Pneumatic module
H23665-1 : CO₂



Electric modules
H23465-6 : 48 VR
H23465-7 : 48 VE
H23465-8 : 24 VR
H23465-9 : 24 VE



Electropneumatic modules
H23665-16 : 48 VR + CO₂
H23665-17 : 48 VE + CO₂
H23665-18 : 24 VR + CO₂
H23665-19 : 24 VE + CO₂



Pack treuil mechanic
HKIT601 M : metallic box
HKIT601S : plastic box



Pack treuil pneumatic
HKIT602M : metallic box + CO2
HKIT602S : plastic box + CO2



Pack treuil electric
HKIT606M : metallic box
HKIT606S : plastic box