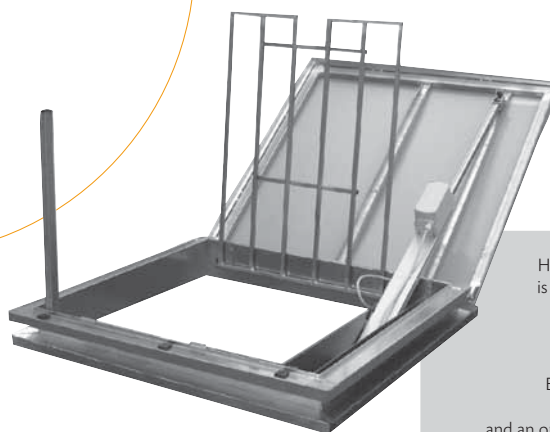


# Hexacoif Acces MoE

Smoke vents range

NSHEV + ROOF ACCESS  
Single Flap (Electric)

CE - This smoke vent meets the  
European regulation EN 12101-2  
in force.



Hexacoif Acces MoE (one opening flap) is designed to fit with all kind of existing support (concrete, steel, wood...), and can be controlled by thermofuse and/or electric control box.

Equipped in option with a cross bar for roof access, an adaptation for ladder and an opening griddle, this skylight also allows an access to the roof in safety.

Dimensions

Performances

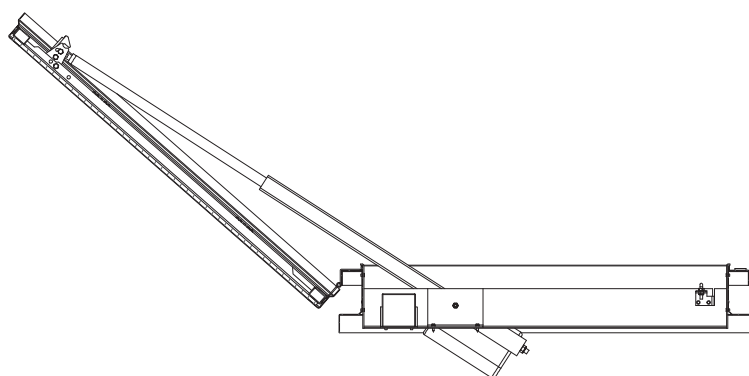
Characteristics

References	DT <sup>(1)</sup> l x L in cm	DB <sup>(1)</sup> l x L in cm	Geometrical Area (Av) in m <sup>2</sup>	Lighting surface (SLu) in m <sup>2</sup>	Aerodynamical Area (Aa) in m <sup>2</sup>			Snow load/Working pressure (bar) <sup>(4)</sup>				Total volume of pistons in liters (L)
					E (Eco)	S (Standard)	+ (Plus)	MoE				
								PCA <sup>(2)</sup>		CAI/DD <sup>(2)</sup>		
								SL 250 <sup>(3)</sup>	SL 500 <sup>(3)</sup>	SL 250 <sup>(3)</sup>	SL 500 <sup>(3)</sup>	
C 100 straight	100 x 100	100 x 100	1,00	1,00	0,40			4,7A	6,2A	5,2A	6,7A	1,70
C 120 straight	120 x 120	120 x 120	1,44	1,44	0,58			5,2A	7,1A	5,7A	7,6A	2,11

(1) DT = Dimension Top of upstand (Commercial reference) and DB = Dimension Bottom of upstand (Geometrical area) - (2) PCA = Multilayer polycarbonate panels 10 or 16 mm, CAI = Insulated aluminium cover and DD = Double Dome - (3) SL 250 (0-400 m of altitude) - SL 500 (400-800 m of altitude and more) - (4) Minimum pressure of CO2 for closing = 8 bar

# Hexacoif Acces MoE

Smoke vents range



Hexacoif Acces MoE in safety position

#### COMPONENTS:

- A metallic upstand in galvanized steel of 150 mm high, which can be installed on all kind of existing support (concrete, steel, wood...).
- This product also allows to transform the original function of an existing skylight, while conserving the existing upstand.
- An aluminium frame which protects the periphery of dome or PCA.
- A thermofuse pre-installed in the factory (in option).
- One opening flap controlled by thermofuse and/or electric control box. The opening power is given by a 24V drive integrated in the whole system.

#### FILLING:

- Our standard:
  - PCA 10 mm 4 skins
- In option:
  - PCA 16 mm 7 skins
  - Double dome in PMMA, polycarbonate or Hexachoc 1200J
  - Insulated aluminium cover

*For additional details, see the rubric of the options.*

Working	Type B opening + closing
Cycles	Re 10,000 (daily ventilation) + Re 1,000 (smoke extraction)
Snow load	SL 250 or SL 550
Low temperature	T (-15°)
Wind load	WL 1 500 Pa
Resistance to heat	B 300 °C