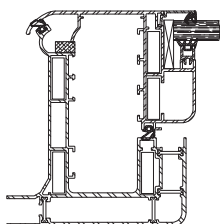


Aluminium
+ glass
structure

Certiciel

Smoke vents range

NSHEV conforms to NF EN
12101-2 and NFS 61 937-1



NSHEV dedicated to smoke ventilation
and day to day ventilation on roof.
Mechanism completely concealed
in the profile (not visible when units close).

DESCRIPTION

- Concealed mechanism.
- Forecast for installation on standard or glazed roof.
- Can be glazed, opaque or with acoustic/thermal insulation.
- All finishes available: laquered, anodised, mill...
- NSHEV (Natural Smoke and Heat Exhaust Ventilator) consists on two leaves.
- It replaced two pans of glass on the glass structure.
- It can also be delivered installed on upstand for a typical dry roof.
- 3 versions available:
 - Glazed on atrium.
 - Installation on upstand with glass or thermal alu infill.
 - Acoustic with or without upstand.

REGULATION

- Certiciel is a NSHEV (Natural Smoke and Heat Exhaust Ventilator) conforms to NF EN 12101-2 and NFS 61 937-1.

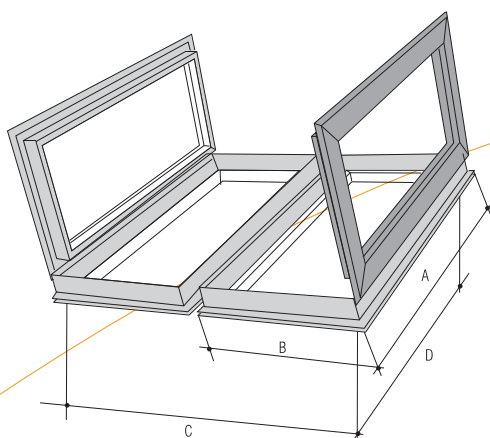
PROFILES

- Opening frame with thermal bridge.
- Adaptation to match the existing alu profile thickness can be done.
- Adaptation on upstand.

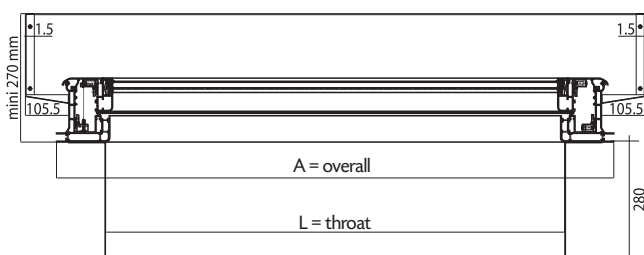
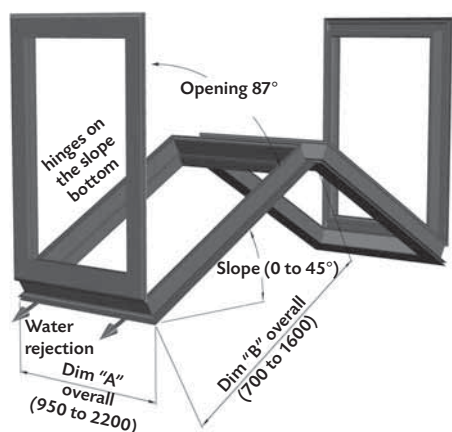
REGULATIONS

- Certiciel conforms to NF EN 12101-2 and NFS 61 937-1.
- 1200 J resistance (with griddle).
- Reliability: Re 1,000 (smoke exhaust) and/or Re 10,000 cycles (for daily ventilation).
- Aerodynamic value: Cv from 0.3 to 0.7.
- Snow load (please advised).
- * Classification air/water/wind: in process
- Ug: from 1.9 to 4 W m²/°K with thermal opaque infill and from 2.1 to 5.7 W m²/°K for glass infill.

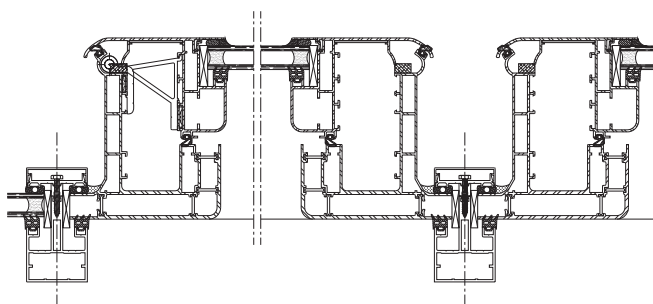
133



A: Overall width per leaf C: Throat width of the vent (two leaves)
B: Overall height per leaf D: Throat height of the vent (two leaves)



Certiciel on upstand with windshields



Principle of installation on glass roof

DIMENSIONS

Measure-made

- Overall width per leaf (Dim A): mini 950, maxi 2,200 mm.
- Overall height per leaf (Dim B): mini 800, maxi 1,600 mm.

INFILL THICKNESS

- Glazed: 6 mm mini and 25 mm maxi.
- Opaque: 23 mm mini and 90 mm maxi.

TYPE OF INFILL

- Depends of the vent dimensions.
- PC 10 mm to 25 mm (clear, opal or bronze).
- Insulated glazing: classic to reinforced insulation, with solar control, acoustic, etc.
- Thermal insulated infill consisting on 2 sheets of alu 15/10 and 30 mm polystyrene infill.
- Acoustic insulation upon request: different types available from 34 to 40 db.

TYPES OF CONTROLS

- Electrical power on/close 24 Vcc - P = 30 W.
- Pneumatic air to open/air to close.
- Pneumatic fail safe open (opening by pressure failure).

OPTIONS

- Fix windshields (increase the air flow coefficient)*.
- Openable windshields (not visible from outside when unit is closed).
- Upstand with insulation (for installation on multi-layered roof).
- Acoustic upstand with bituminous insulation.
- Covering upstand: to cover an existing upstand.
- Switches open/close (safety contacts).

INSTALLATION

Certiciel consists on 2 leaves which can be indepently installed side by side or face by face.

- Slope of installation: From 5° to 60° from the horizontal.
- Adaptation profile for integration of the vents to the existing.
- Installation on multi-layered roof.

* Information to be provided during the quote.