

Steel deck
and sandwich
panel roof

Hexaonde Feu MO

Smoke vents range



NSHEV for steel deck roofs
Single Flap (Opening only)
CE - This smoke vent meets the
European regulation EN 12101-2
in force.

Hexaonde Feu MO (one opening flap)
is a smoke vent specifically designed for
the steel deck and sandwich panel roofs,
and can be controlled by thermofuse
and/or mechanically/pneumatically/electrically.

CE

Dimensions

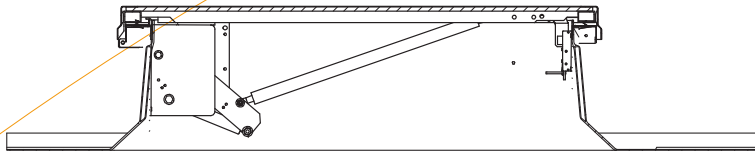
Performances

Characteristics

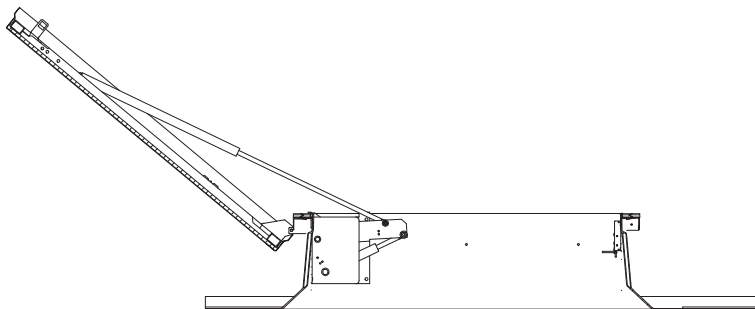
DT l x L in m	DB l x L in m	Geometrical Area (Av) in m ²	Aerodynamical Area (Aa) in m ²	Filling with PCA 10-16	
				Snow load	Snow load
1,00 x 1,00	1,00 x 1,00	1,00	0,40	SL 125	SL 125
1,00 x 1,40	1,00 x 1,40	1,40	0,56	SL 125	SL 125
1,00 x 1,50	1,00 x 1,50	1,50	0,60	SL 125	SL 125
1,00 x 2,00	1,00 x 2,00	2,00	0,80	SL 125	SL 125
1,20 x 1,20	1,20 x 1,20	1,44	0,58	SL 125	SL 125
1,20 x 1,60	1,20 x 1,60	1,92	0,77	SL 125	SL 125
1,20 x 1,80	1,20 x 1,80	2,16	0,86	SL 125	SL 125
1,20 x 2,00	1,20 x 2,00	2,40	0,96	SL 125	SL 125
1,30 x 1,30	1,30 x 1,30	1,69	0,68	SL 125	SL 125
1,40 x 1,40	1,40 x 1,40	1,96	0,78	SL 125	SL 125
1,50 x 1,50	1,50 x 1,50	2,25	0,90	SL 125	
1,60 x 1,60	1,60 x 1,60	2,56	1,02	SL 125	
1,00 x 1,00	1,20 x 1,20	1,44	0,58	SL 125	SL 125
1,00 x 1,40	1,20 x 1,60	1,92	0,77	SL 125	SL 125
1,00 x 1,50	1,20 x 1,70	2,04	0,82	SL 125	SL 125
1,00 x 2,00	1,20 x 2,20	2,64	1,06	SL 125	SL 125
1,20 x 1,20	1,40 x 1,40	1,96	0,78	SL 125	SL 125
1,20 x 1,60	1,40 x 1,80	2,52	1,01	SL 125	SL 125
1,20 x 1,80	1,40 x 2,00	2,80	1,12	SL 125	SL 125
1,20 x 2,00	1,40 x 2,20	3,08	1,23	SL 125	SL 125
1,30 x 1,30	1,50 x 1,50	2,25	0,90	SL 125	SL 125
1,40 x 1,40	1,60 x 1,60	2,56	1,02	SL 125	SL 125
1,50 x 1,50	1,70 x 1,70	2,89	1,16	SL 125	
1,60 x 1,60	1,80 x 1,80	3,24	1,30	SL 125	

Hexaonde Feu MO

Smoke vents range



Hexaonde Feu CE Mo in waiting position



Hexaonde Feu CE Mo in safety position

COMPONENTS:

- A polyester upstand of 30 cm high, equipped with a thermal insulation.
- The outside and the underside of the polyester upstand are protected by a gel coat (RAL 9010 in standard, for further colors, please consult us).
- A frame in galvanized aluminium, fixed on the polyester upstand, which protects the periphery of dome or PCA.
- A thermofuse integrated in the bolt.
- A single flap locked by electric or pneumatic bolt and controlled by CO₂ or electric box. The opening power is given by gas springs integrated in the system. The opening function is controlled from the floor by sending a pneumatic (CO₂) or electric signal (24 or 48 V).
- The closing is carried out manually from the roof.

FILLING:

- Our standard:
 - PCA 10 mm 4 skins
- In option:
 - PCA 16 mm 7 skins
 - Double dome in PMMA, polycarbonate or Hexachoc 1200J
 - Insulated aluminium cover

For additional details, see the rubric of the options.

Aerodynamic surface Aa	table above
Triggering Temperature	70 °C, 90 °C, 140 °C and 180 °C
Type of opening	Type A
Reliability	Re 1.000
Snow load	SL 125
Low temperature	T (-15)
Lateral wind	WL 1 500 Pa
Resistance to heat	B 300 °C
Fire resistance rating	PCA 10/16 = B-s1,d0, Simple and double dome = E, Aluminium Cover = A1.