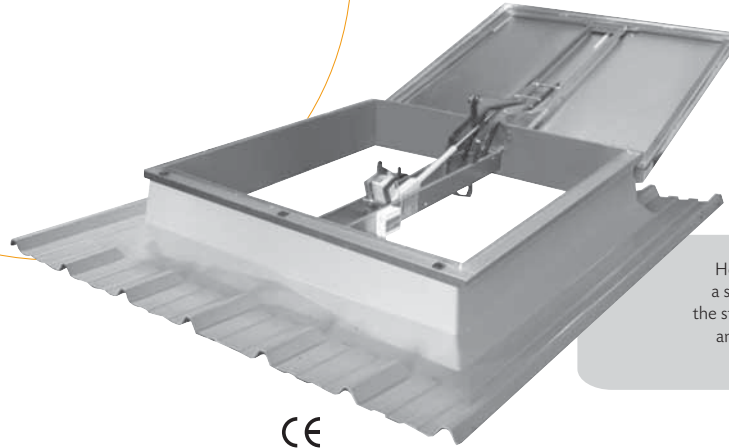


Steel deck
and sandwich
panel roof

Hexaonde MoE

Smoke vents range



NSHEV for steel deck roofs
Single Flap (Electric - 24V)
CE - This smoke vent meets the
European regulation EN 12101-2
in force.

Hexaonde MoE (one opening flap) is
a smoke vent specifically designed for
the steel deck and sandwich panel roofs,
and can be controlled by thermofuse
and/or by an electric control box.

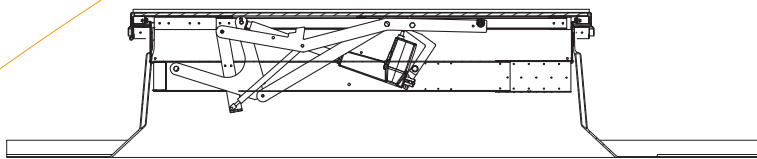


Dimensions

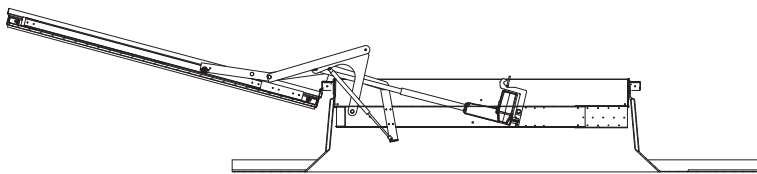
Performances

Characteristics

DT l x L in m	DB l x L in m	Geometrical Area (Av) in m ²	Ranges		Height spoilers Standard in mm	Voltage in V	Filling with PCA 10-16				Filling with Double and Simple Dome - Aluminium cover			
			Eco	Standard			Amperage (A) according to the snow load				Amperage (A) according to the snow load			
			Aa (SUO) in m ²	Aa (SUO) in m ²			25 daN/m ²		50 daN/m ²		25 daN/m ²		50 daN/m ²	
1,00 x 1,00	1,20 x 1,20	1,44	0,72	0,88	100	24 V	4 A	SL 250	4 A	SL 550	4 A	SL 250	4 A	SL 550
1,00 x 1,50	1,20 x 1,70	2,04	1,02	1,25	300	24 V	SL 250	4 A	SL 550	4 A	Not available with aluminium cover			
1,00 x 2,00	1,20 x 2,20	2,64	1,32	1,61	300	24 V	4 A	SL 250	4 A	SL 550	4 A	SL 250	4 A	SL 550
1,20 x 1,20	1,40 x 1,40	1,96	0,98	1,20	100	24 V	4 A	SL 250	4 A	SL 550	4 A	SL 250	4 A	SL 550
1,40 x 1,40	1,60 x 1,60	2,56	1,28	1,56	300	24 V	4 A	SL 250	4 A	SL 550	4 A	SL 250	4 A	SL 550
1,40 x 1,60	1,60 x 1,80	2,88	1,44	1,76	300	24 V	SL 250	4 A	SL 550	4 A	Not available with aluminium cover			
1,40 x 2,00	1,60 x 2,20	3,52	1,62	2,15	300	24 V	SL 250	4 A	SL 550	4 A	Not available with aluminium cover			
Commercial references					For other dimensions, please, consult us.									
DB = dimension at the bottom of the upstand					DT = dimension at the top of the upstand									



Hexaonde MoE Eco (with oblique upstand) in waiting position



Hexaonde MoE Eco (with oblique upstand) in safety position

COMPONENTS:

- A polyester upstand of 30 cm high, equipped with a thermal insulation.
- The outside and the underside of the polyester upstand are protected by a gel coat (RAL 9010 in standard, for further colors, please consult us).
- A frame in galvanized aluminium, fixed on the polyester upstand, which protects the periphery of dome or PCA.
- A thermofuse pre-installed in the factory (in option).
- One opening flap controlled by thermofuse and/or electric control box. The opening power is given by a 24V drive integrated in the whole system.

FILLING:

- Our standard:
 - PCA 10 mm 4 skins
- In option:
 - PCA 16 mm 7 skins
 - Double dome in PMMA, polycarbonate or Hexachoc 1200J
 - Insulated aluminium cover

For additional details, see the rubric of the options.

Working	Type B opening + closing
Cycles	Re 10,000 (daily ventilation) + Re 1,000 (smoke extraction)
Snow load	SL 250 or SL 550
Low temperature	T (-15°)
Lateral wind	WL 1 500 Pa
Resistance to heat	B 300 °C