

Waterproofed  
roof

# Hexasteel Acces MoE

Smoke vents range



NSHEV + ROOF ACCESS  
Single Flap (Electric)  
CE - This smoke vent meets the  
European regulation EN 12101-2  
in force.

CE

Hexasteel Acces MoE (one opening flap) is designed for waterproofed roof, and can be controlled by thermofuse or electric control box.  
Equipped in option with a cross bar for roof access, an adaptation for ladder and an opening griddle, this skylight also allows an access to the roof in safety.

Dimensions

Performances

Characteristics

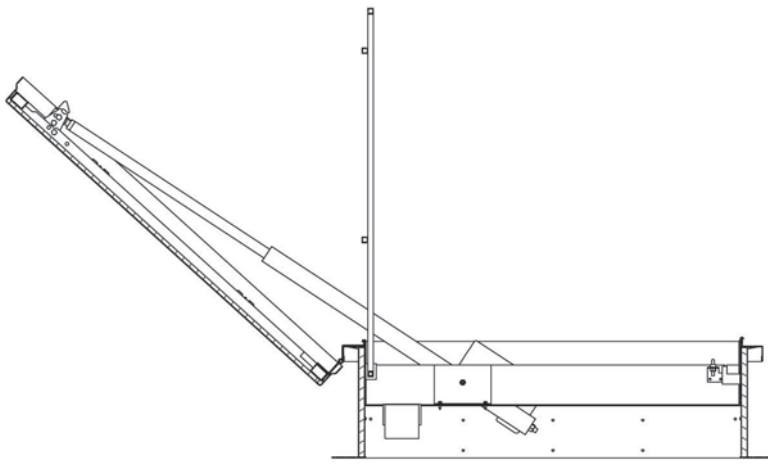
References	DT <sup>(1)</sup> l x L in cm	DB <sup>(1)</sup> l x L in cm	Geometrical Area (Av) in m <sup>2</sup>	Lighting surface (SLu) in m <sup>2</sup>	Aerodynamical Area (Aa) in m <sup>2</sup>			Amperage (A) according to the snow load				Total volume of pistons in liters (L)
					E (Eco)	S (Standard)	+ (Plus)	PCA <sup>(2)</sup>		CAI/DD <sup>(2)</sup>		
								SL 250 <sup>(3)</sup>	SL 500 <sup>(3)</sup>	SL 250 <sup>(3)</sup>	SL 500 <sup>(3)</sup>	
C 100 straight	100 x 100	100 x 100	1,00	1,00	0,40			4,7A	6,2A	5,2A	6,7A	1,70
C 120 straight	120 x 120	120 x 120	1,44	1,44	0,58			5,2A	7,1A	5,7A	7,6A	2,11

(1) DT = Dimension Top of upstand (Commercial reference) and DB = Dimension Bottom of upstand (Geometrical area) - (2) PCA = Multilayer Polycarbonate panels 10 or 16 mm, CAI = Insulated Aluminium Cover and DD = Double Dome - (3) SL 250 (0-400 m of altitude) - SL 500 (400-800 m of altitude and more)

Waterproofed  
roof

# Hexasteel Acces MoE

Smoke vents range



Hexasteel Acces MoE

#### COMPONENTS:

- A metallic upstand 30, 40 or 50 cm high, which can be equipped with an insulation board 15 mm ( $U_f = 2.5 \text{ W/m}^2 \text{ K}$ ) or 30 mm ( $U_f = 1.5 \text{ W/m}^2 \text{ K}$ ). The surface of the insulation can be bitumen or PVC coated for a direct weld with the waterproofing membrane.
- An aluminium frame which protects the periphery of dome or PCA.
- An aluminium frame which protects the periphery of dome or PCA.
- One opening flap controlled by thermofuse and/or electric control box. The opening power is given by a 24V drive integrated in the whole system.

#### FILLING:

- Our standard:
  - PCA 10 mm 4 skins
- In option:
  - PCA 16 mm 7 skins
  - Double dome in PMMA, polycarbonate or Hexachoc 1200J
  - Insulated aluminium cover

*For additional details, see the rubric of the options.*

Working	Type B opening + closing
Cycles	Re 10,000 (daily ventilation) + Re 1,000 (smoke extraction)
Snow load	SL 250 or SL 550
Low temperature	T (-15°)
Wind load	WL 1 500 Pa
Resistance to heat	B 300 °C